



IP22 Class II (V)

NEW

Product Features

- Meets medical & I.T.E. safety
- 2 MOPP input to output isolation
- Touch current: ≤ 100µA
- Energy efficiency level VI
- ≤ 0.075W standby power
- 6.1V-52V outputs, up to 24W
- Up to 5,000m operating altitude
- Interchangeable AC plugs

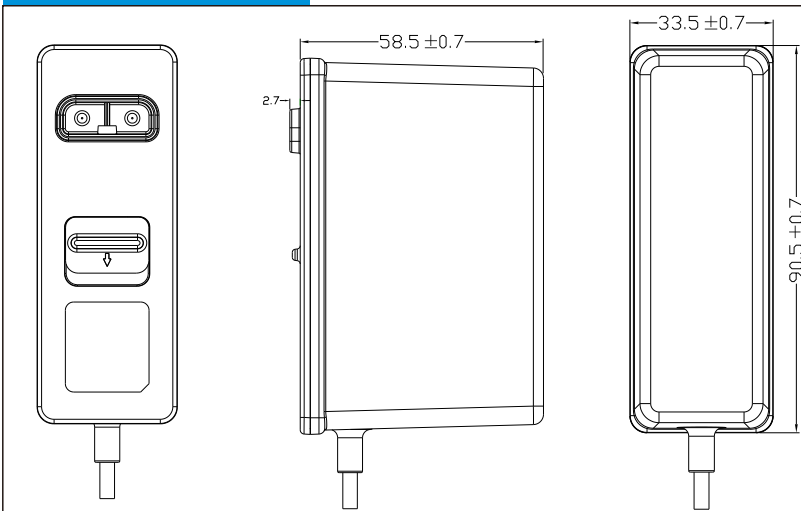


★★★★

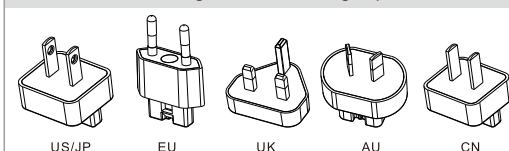
Models & Parameters

Model Number	Voltage ^(*) (V)	Current (A)	Rated Power	Ripple & Noise (max)	Voltage Tolerance	Line & Load Regulation	Efficiency (Average)	Start Up Delay
UES24LCP1-XXXXYYSPA	6.1-7.0	0.01-3.00	21.00W	120mVpk-pk	±5%	Line: ±1% Load: ±5%	86.2%	≤3s
	7.1-8.0	0.01-2.62	21.00W	120mVpk-pk	±5%		86.2%	≤3s
	8.1-9.0	0.01-2.33	21.00W	150mVpk-pk	±5%		86.2%	≤3s
	9.1-10.0	0.01-2.10	21.00W	150mVpk-pk	±5%		86.2%	≤3s
	10.1-11.0	0.01-2.18	24.00W	150mVpk-pk	±5%		87.0%	≤3s
	11.1-12.0	0.01-2.00	24.00W	150mVpk-pk	±5%		87.0%	≤3s
	12.1-13.0	0.01-1.84	24.00W	200mVpk-pk	±5%		87.0%	≤3s
	13.1-14.0	0.01-1.71	24.00W	200mVpk-pk	±5%		87.0%	≤3s
	14.1-15.0	0.01-1.60	24.00W	200mVpk-pk	±5%		87.0%	≤3s
	15.1-16.0	0.01-1.50	24.00W	200mVpk-pk	±5%		87.0%	≤3s
	16.1-17.0	0.01-1.41	24.00W	200mVpk-pk	±5%		87.0%	≤3s
	17.1-18.0	0.01-1.33	24.00W	200mVpk-pk	±5%		87.0%	≤3s
	18.1-19.0	0.01-1.26	24.00W	200mVpk-pk	±5%		87.0%	≤3s
	19.1-20.0	0.01-1.20	24.00W	240mVpk-pk	±5%		87.0%	≤3s
	20.1-21.0	0.01-1.14	24.00W	240mVpk-pk	±5%		87.0%	≤3s
	21.1-22.0	0.01-1.09	24.00W	240mVpk-pk	±5%		87.0%	≤3s
	22.1-23.0	0.01-1.04	24.00W	240mVpk-pk	±5%		87.0%	≤3s
	23.1-24.0	0.01-1.00	24.00W	240mVpk-pk	±5%		87.0%	≤3s
	45.1-46.0	0.01-0.52	24.00W	300mVpk-pk	±5%		87.0%	≤3s
	46.1-47.0	0.01-0.51	24.00W	300mVpk-pk	±5%		87.0%	≤3s
	47.1-48.0	0.01-0.50	24.00W	300mVpk-pk	±5%		87.0%	≤3s
	48.1-49.0	0.01-0.48	24.00W	300mVpk-pk	±5%		87.0%	≤3s
	49.1-50.0	0.01-0.48	24.00W	300mVpk-pk	±5%		87.0%	≤3s
	50.1-51.0	0.01-0.47	24.00W	300mVpk-pk	±5%		87.0%	≤3s
51.1-52.0	0.01-0.46	24.00W	300mVpk-pk	±5%	87.0%	≤3s		

Mechanical Details



Interchangeable AC Plug Options^(*)



US/JP EU UK AU CN

DC cable and connector can be customized.

Unit: mm

Notes
(*1, 2) Other options are available, please contact our sales representative for details.

Input

Input Voltage Range	80-264VAC
Frequency Range	47-63Hz
Input Current	0.5A at 90VAC
Inrush Current	70A max at 240VAC cold start
Touch Leakage Current ^(max)	≤100µA at 264VAC

Environmental

Operating Temperature	0°C to 45°C
Storage Temperature	-20°C to 60°C
Operating Humidity	10% to 90% RH, non-condensing
Storage Humidity	5% to 90% RH
Operating Altitude	5,000m

General

Dimensions	90.5(L) 33.5(W) 58.5(H)mm
Weight	170g
MTBF	>100,000hrs MIL-HDBK-217 at 25°C
Isolation	4,000VAC Input to Output

Protection

Overload	120-150% rated output power, auto recovery
Over Voltage	120-150% rated output voltage input to reset
Short Circuit	Trip and restart (hiccup mode)

Safety Approvals

Safety Agency / Mark	Medical	ITE
CB	IEC60601-1/60601-1-11 ANSI/AAMI ES60601-1/60601-1-11	IEC62368-1
UL	CAN/CSA-C22.2 NO. 60601-1	UL62368
TüV Rheinland/Mark	EN60601-1/EN60601-1-11	-
TüV Rheinland/GS	-	EN62368-1
CE	-	EN62368
CCC	-	GB4943.1
PSE	-	J62368
KC	-	K60950-1
RCM	-	AS/NES62368.1
FCC	-	FCC PART 15

EMC

Emission	Medical	ITE
Conduction	IEC/EN60601-1-2, CISPR 11	EN55032, CISPR32
Radiation	IEC/EN60601-1-2, CISPR 11	EN55032, CISPR32
Harmonic Currents	EN61000-3-2, Class A	EN61000-3-2, Class A
Voltage Flicker	EN61000-3-3	EN61000-3-3
Immunity	IEC/EN60601-1-2	EN55024, CISPR 24
ESD	IEC61000-4-2	±15KV air, ±8KV contact
Radiated Immunity	IEC61000-4-3	10V/m, 3V/m 80MHz - 2700MHz
EFT/Burst	IEC61000-4-4	±2KV on AC port, ±1KV on signal ports
Surge	IEC61000-4-5	±2KV line to line (different mode)
Conducted Immunity	IEC61000-4-6	3Vrms, 6Vrms (0.15MHz-80MHz)
Magnetic Field	IEC61000-4-8	30 A/m
Dips & Interruptions	IEC61000-4-11	0%, 70%, 0% of UT

Others

Dielectric Withstand Voltage	5,656VDC input to output
Insulation Resistance	10M Ohms, 500VDC input to output